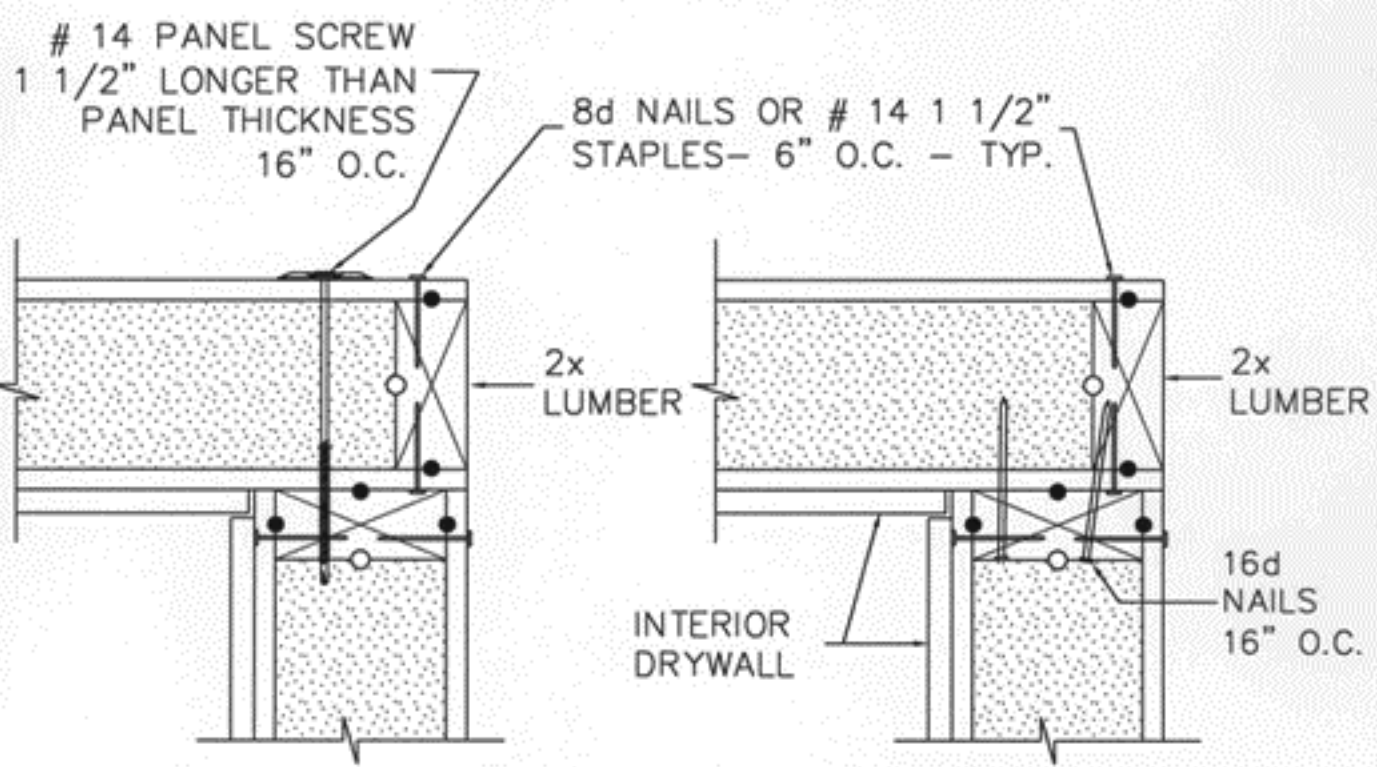


HORIZONTAL SECTION
WALL PANELS BEFORE ASSEMBLY



SCREW CONNECTION

NAIL CONNECTION

HORIZONTAL SECTION
WALL PANELS ASSEMBLED

STRUCTURAL INSULATED PANEL
INSTALLATION GUIDE

TITLE

PANEL-TO-PANEL
CORNER CONNECTION