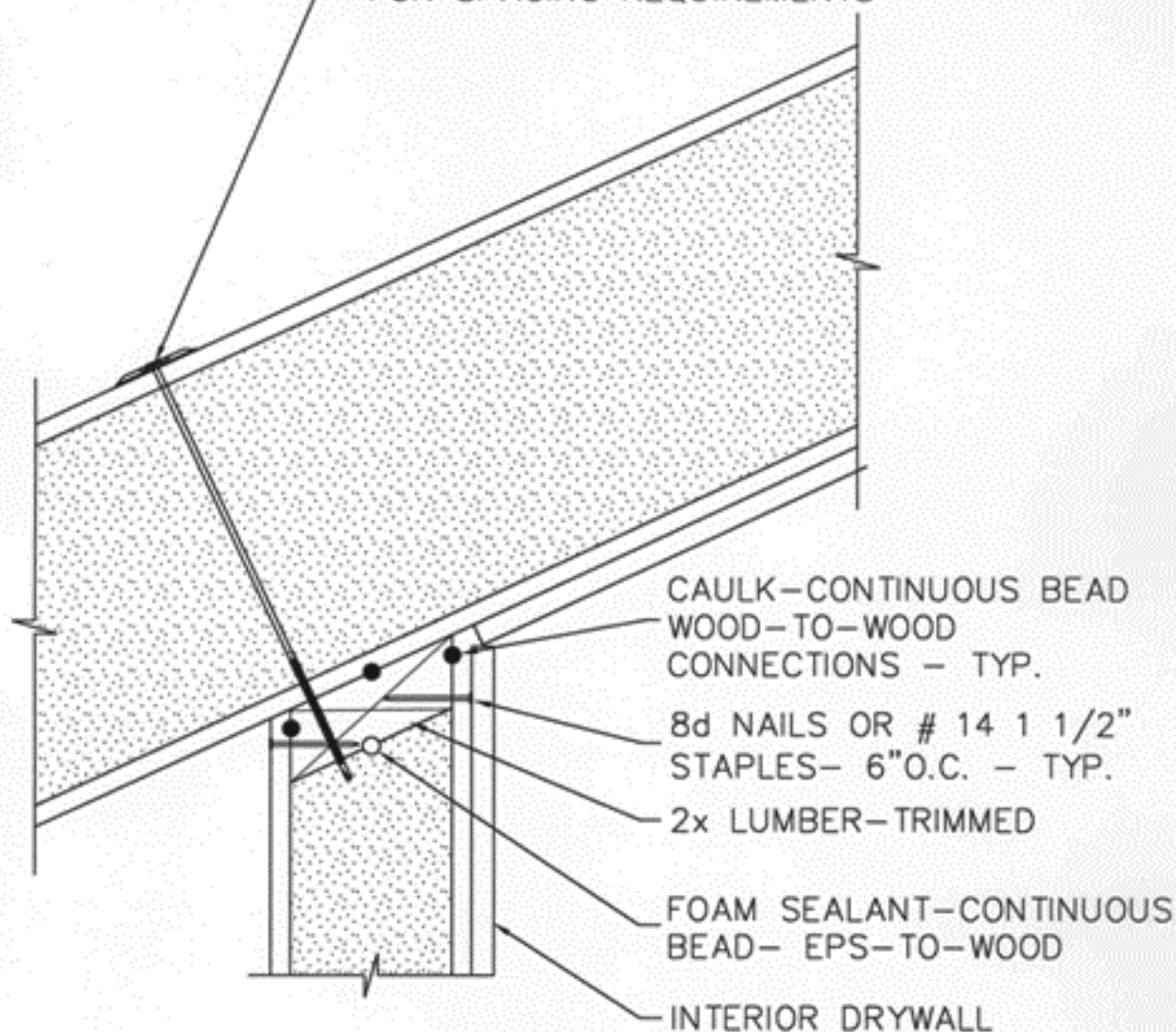


14 PANEL SCREW 1 1/2"
LONGER THAN PANEL THICKNESS
SEE ENGINEERING DATA
FOR SPACING REQUIREMENTS



STRUCTURAL INSULATED PANEL
INSTALLATION GUIDE

TITLE ROOF—TO—WALL CONNECTION
PITCHED ROOF—CANTED PLATE

PORTER
STRUCTURAL INSULATED PANELS

W. H. PORTER, INC. 4240 N. 136th AVE HOLLAND, MI 48424 (616) 399-1963

11/02

38-302