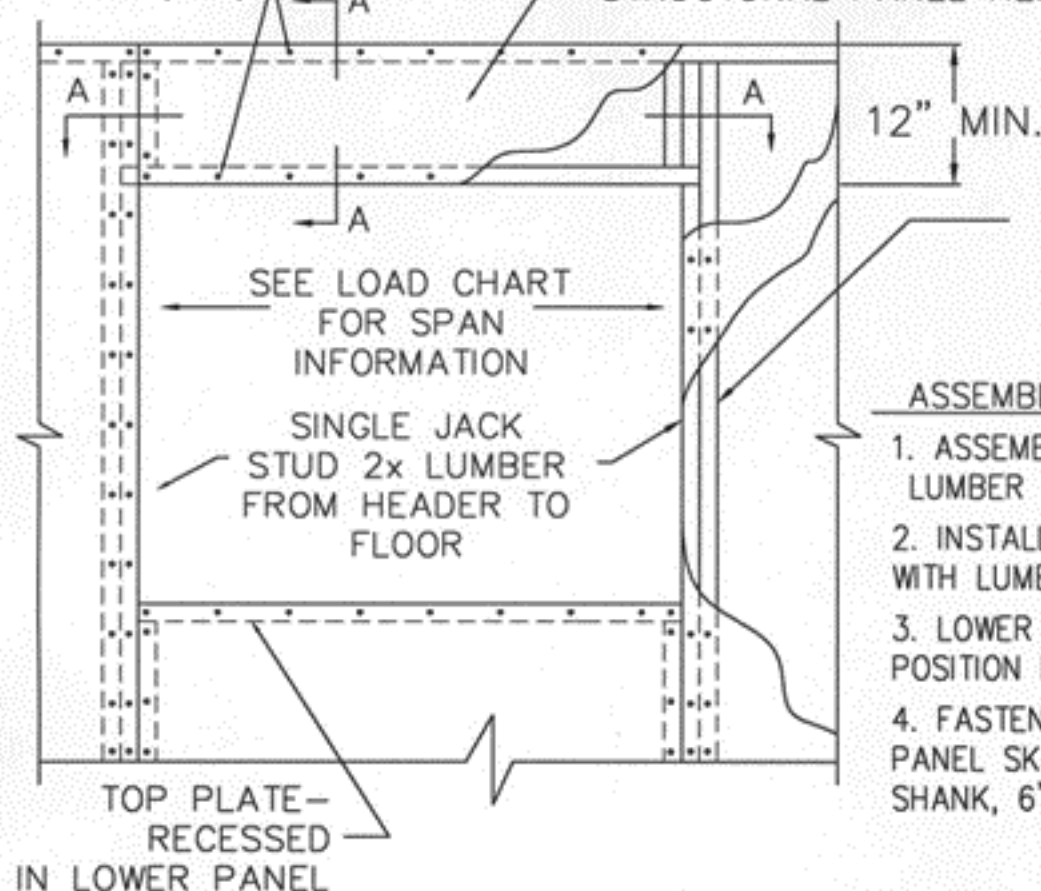


8D NAIL
6" O.C. (MIN)

SINGLE PLATE
STRUCTURAL PANEL HEADER



KING STUD
AND JACK STUD
RECESSED INTO
PANEL

SEE LOAD CHART
FOR SPAN
INFORMATION

SINGLE JACK
STUD 2x LUMBER
FROM HEADER TO
FLOOR

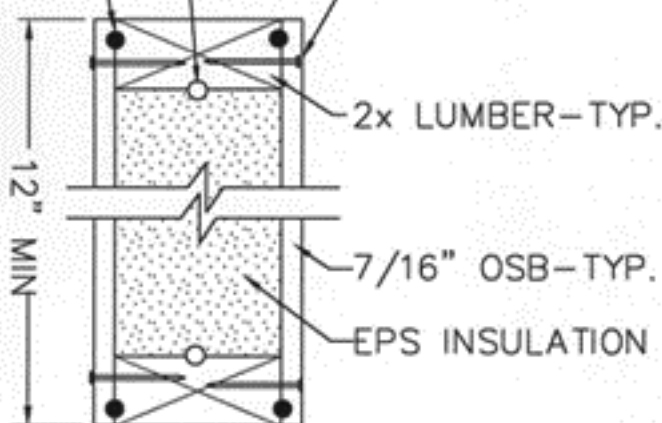
ASSEMBLY SEQUENCE

1. ASSEMBLE HEADER WITH LUMBER PER INSTRUCTIONS
2. INSTALL ADJACENT PANELS WITH LUMBER PER INSTRUCTIONS
3. LOWER HEADER INTO POSITION FROM ABOVE
4. FASTEN BY NAILING THROUGH PANEL SKINS WITH 8D RING SHANK, 6" O.C.

CAULK—CONTINUOUS BEAD — WOOD—TO—WOOD — TYP.

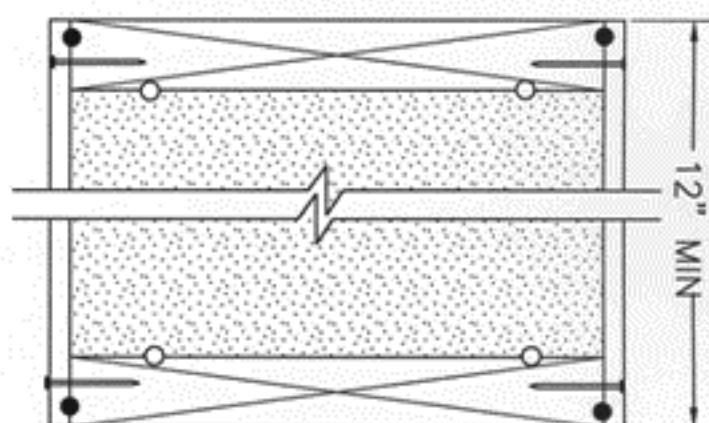
FOAM SEALANT—CONTINUOUS BEAD— EPS—TO—WOOD — TYP.

8d NAILS OR # 14 1 1/2" STAPLES—6" O.C.— TYP.



4 1/2" THICK
SINGLE PLATE
HEADER

DETAIL A-A



12 1/4" THICK
SINGLE PLATE
HEADER

STRUCTURAL INSULATED PANEL
INSTALLATION GUIDE

SINGLE PLATE INSULATED HEADERS
TITLE
- 4 1/2" & 12 1/4" THICK